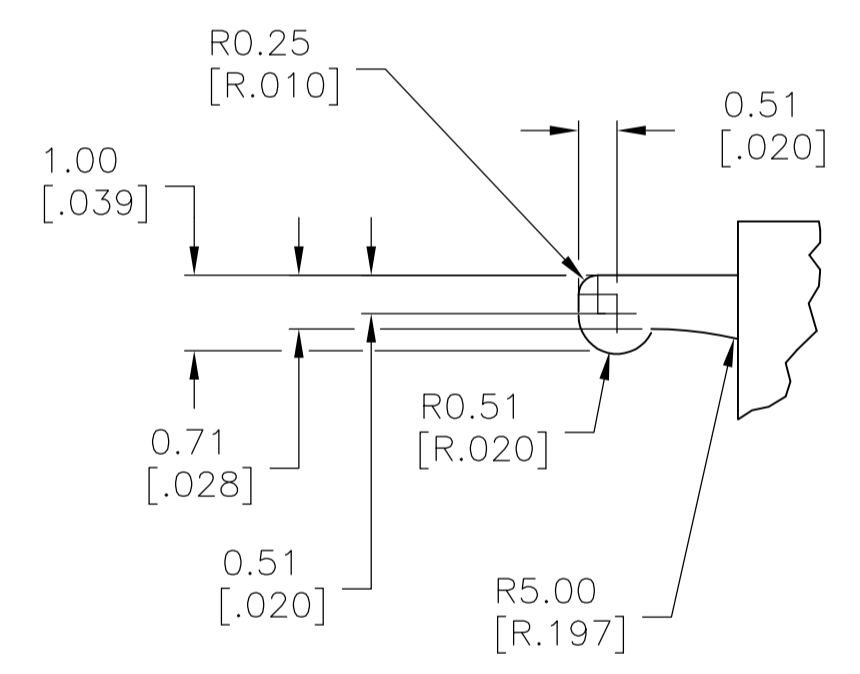
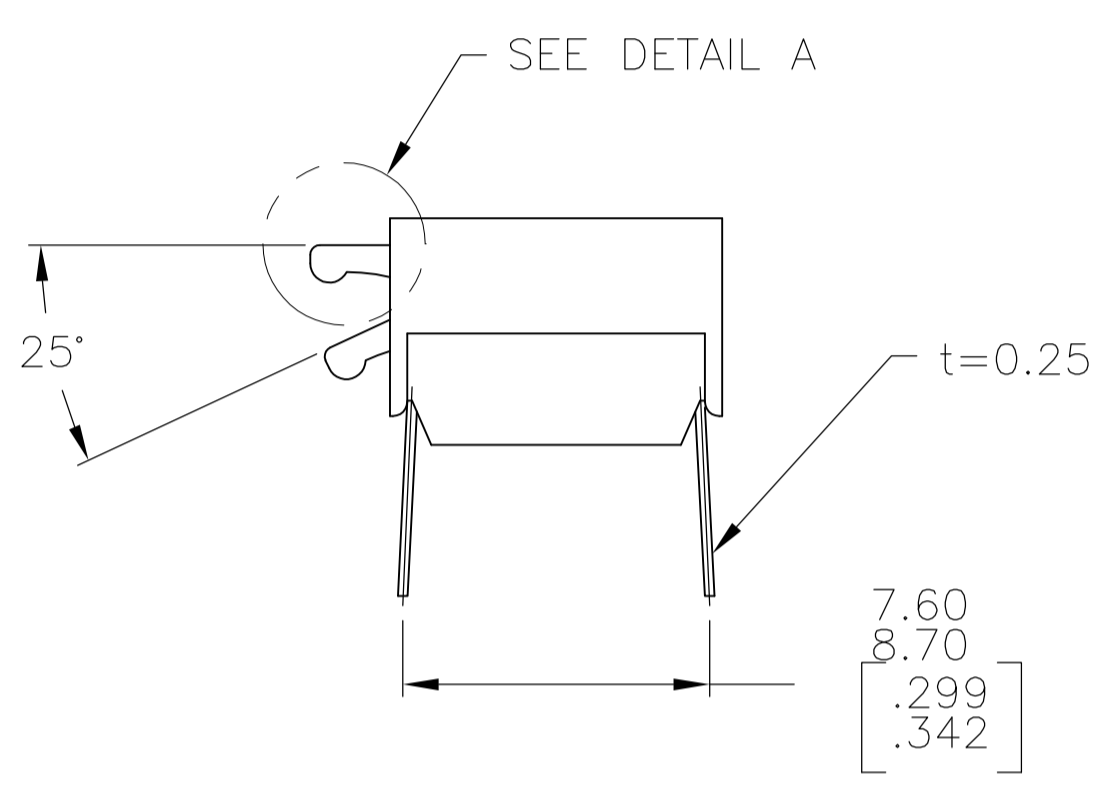
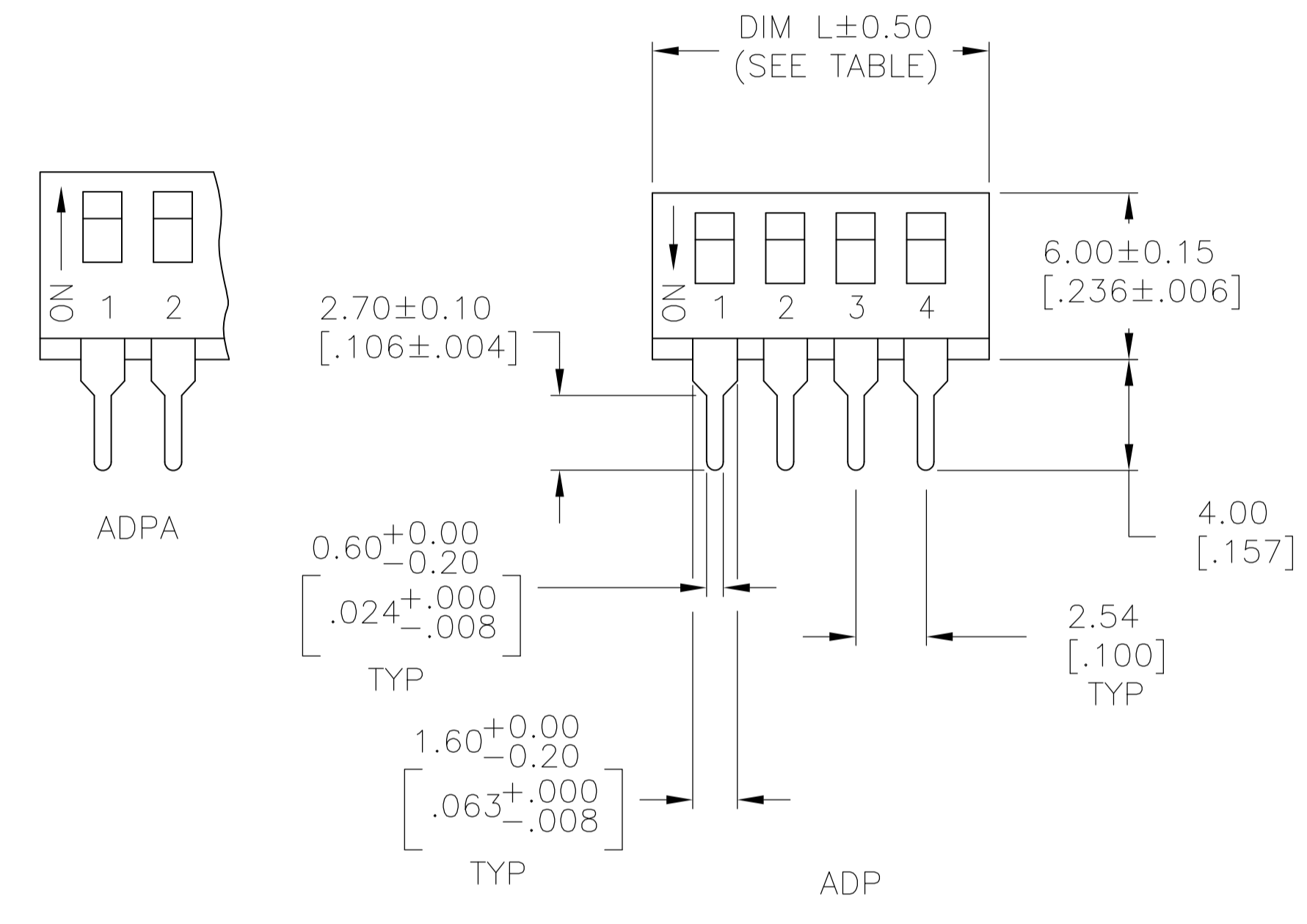


RECOMMENDED HOLE LAYOUT



DETAIL A SCALE: 10:1



SPECIFICATIONS:

**MATERIAL:**  
CASE: PPS 94V-0, BLACK  
COVER: PPS 94V-0, BLACK  
ACTUATOR: NYLON PA6T 94V-0, WHITE  
MOVING CONTACT: COPPER ALLOY, GOLD OVER NICKEL PLATE.  
FIXED CONTACT/TERMINAL: COPPER ALLOY, GOLD OVER NICKEL PLATE.

**ELECTRICAL:**  
CONTACT RATING: MAX RATING (SWITCHING) 100 MILLIAMPS @ 24V DC,  
MIN (SWITCHING) 0.10 MICROAMPS @1 MILLIVOLT,  
MAX (NON-SWITCHING) 1 AMP @ 5V DC INITIAL  
CONTACT RESISTANCE: 50 MILLIOHMS MAX.  
INSULATION RESISTANCE: 100 MEGOHMS MIN. @ 100 VDC.  
DIELECTRIC STRENGTH: 500 VAC. LIFE EXPECTANCY: 1000 CYCLES MIN.

**MECHANICAL:**  
ACTUATION FORCE: 800g MAX.

**ENVIRONMENTAL:**  
OPERATING TEMPERATURE: -22°F TO +185°F (-30°C TO +85°C).  
STORAGE TEMPERATURE: -49°F TO +212°F (-45°C TO +100°C).  
SOLDER HEAT RESISTANCE TO 265±3°C FOR 8±2 SECONDS.  
SOLDERABILITY PER JIS C 0050 & JIS C 0053

- CONTACT PRESSURE: 280,000 PSI.
  - CLEANING: AQUEOUS SOLUTION OR SOLVENT.
  - PACKAGING OPTIONS- CLEAR TUBES OR TAPE AND REEL PER EIA-481 SWITCH SUPPLIED IN THE "OFF" POSITION UNLESS "ON" IS SPECIFIED IN THE ALCO PART NUMBER (SEE PART NUMBER TABLE FOR ALL OPTIONS)
  - TOP & FRONT SURFACES TO BE CLEARLY MARKED AS SHOWN.
  - SWITCHES TO BE BLACK WITH WHITE ACTUATORS AND MARKINGS.
  - ALL MATERIAL AND FINISHES SHALL COMPLY WITH EU DIRECTIVE 2002/95/EC OF 27JAN2003 (ROHS)
- ⚠ OBSOLETE PARTS: OBSOLETE CIS STREAMLINING PER D.RENAUD/D.SINISI

SEE SHEET 2 FOR SURFACE MOUNT OPTIONS AND DIMENSIONS.

DESCRIPTION	QTY	UNIT	PRICE	DATE	REV	BY	CHK
TUBE	10		27.38 [1.078]				
TUBE	10		27.38 [1.078]				
TUBE	10		27.38 [1.078]				
TUBE	9		24.84 [.978]				
TUBE	9		24.84 [.978]				
TUBE	9		24.84 [.978]				
TUBE	8		22.30 [.878]				
TUBE	8		22.30 [.878]				
TUBE	8		22.30 [.878]				
TUBE	7		19.76 [.778]				
TUBE	7		19.76 [.778]				
TUBE	7		19.76 [.778]				
TUBE	6		17.22 [.678]				
TUBE	6		17.22 [.678]				
TUBE	6		17.22 [.678]				
TUBE	5		14.68 [.578]				
TUBE	5		14.68 [.578]				
TUBE	5		14.68 [.578]				
TUBE	4		12.14 [.478]				
TUBE	4		12.14 [.478]				
TUBE	4		12.14 [.478]				
TUBE	2		7.06 [.278]				
TUBE	2		7.06 [.278]				
TUBE	2		7.06 [.278]				
OBSOLETE	TAPE & REEL SWITCH ON	10	27.38 [1.078]				
TAPE & REEL	TAPE & REEL	10	27.38 [1.078]				
OBSOLETE	TUBE	10	27.38 [1.078]				
TUBE	TUBE	10	27.38 [1.078]				
OBSOLETE	TAPE & REEL SWITCH ON	9	24.84 [.978]				
TAPE & REEL	TAPE & REEL	9	24.84 [.978]				
OBSOLETE	TUBE	9	24.84 [.978]				
TUBE	TUBE	9	24.84 [.978]				
OBSOLETE	TAPE & REEL SWITCH ON	8	22.30 [.878]				
TAPE & REEL	TAPE & REEL	8	22.30 [.878]				
OBSOLETE	TUBE	8	22.30 [.878]				
TUBE	TUBE	8	22.30 [.878]				
OBSOLETE	TAPE & REEL SWITCH ON	7	19.76 [.778]				
TAPE & REEL	TAPE & REEL	7	19.76 [.778]				
OBSOLETE	TUBE	7	19.76 [.778]				
TUBE	TUBE	7	19.76 [.778]				
OBSOLETE	TAPE & REEL SWITCH ON	6	17.22 [.678]				
TAPE & REEL	TAPE & REEL	6	17.22 [.678]				
TUBE	TUBE	6	17.22 [.678]				
TUBE	TUBE	6	17.22 [.678]				
OBSOLETE	TAPE & REEL SWITCH ON	5	14.68 [.578]				
TAPE & REEL	TAPE & REEL	5	14.68 [.578]				
OBSOLETE	TUBE	5	14.68 [.578]				
TUBE	TUBE	5	14.68 [.578]				
OBSOLETE	TAPE & REEL SWITCH ON	4	12.14 [.478]				
TAPE & REEL	TAPE & REEL	4	12.14 [.478]				
TUBE	TUBE	4	12.14 [.478]				
TUBE	TUBE	4	12.14 [.478]				
OBSOLETE	TAPE & REEL SWITCH ON	2	7.00 [.276]				
TAPE & REEL	TAPE & REEL	2	7.00±0.50 [.276±.020]				
TUBE	TUBE	2	7.00±0.50 [.276±.020]				
TUBE	TUBE	2	7.00±0.50 [.276±.020]				
TUBE	TUBE	2	7.00±0.50 [.276±.020]				
PACKAGING	Pole	Dim L	Old T&B P/N				

THIS DRAWING IS A CONTROLLED DOCUMENT.

DIMENSIONS: mm [INCHES]	TOLERANCES UNLESS OTHERWISE SPECIFIED:	DIN M BINNER 14FEB05	TE Connectivity
0 PLC ± -	1 PLC ± -	M SARVER 15FEB05	
2 PLC ± -	3 PLC ± ± 0.12(0.31)	M SARVER 15FEB05	
4 PLC ± ± -	ANGLES ± ± 1°		

MATERIAL: - FINISH: -

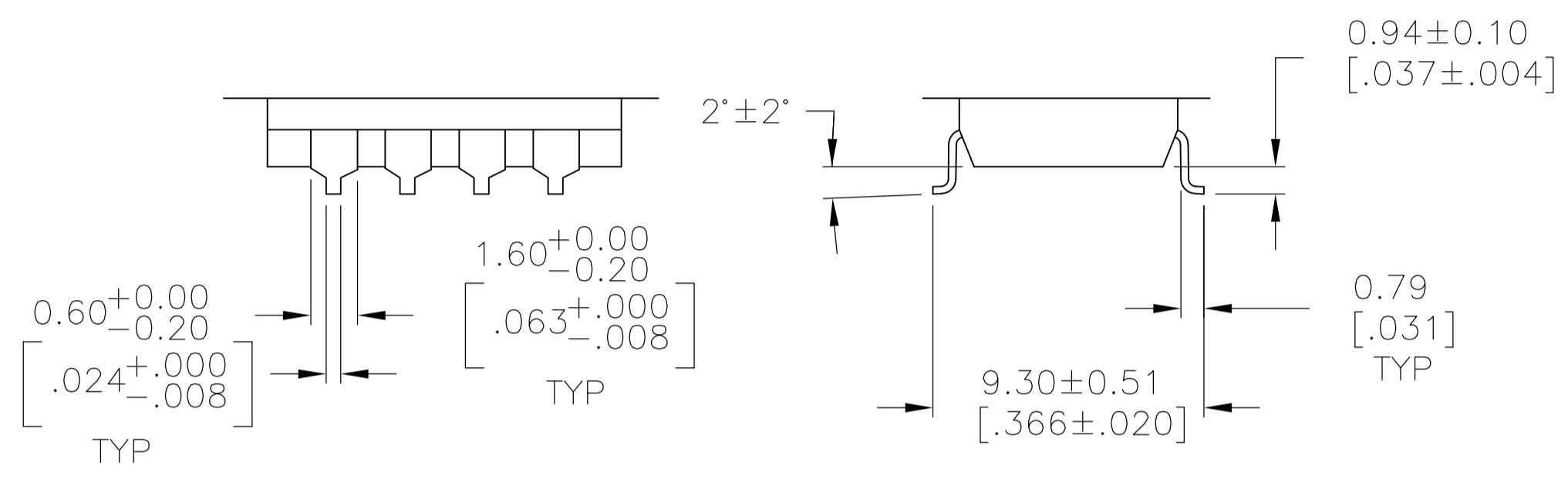
APVD: M SARVER 15FEB05

NAME: DIP SWITCH ASSEMBLY ADP/PA SERIES

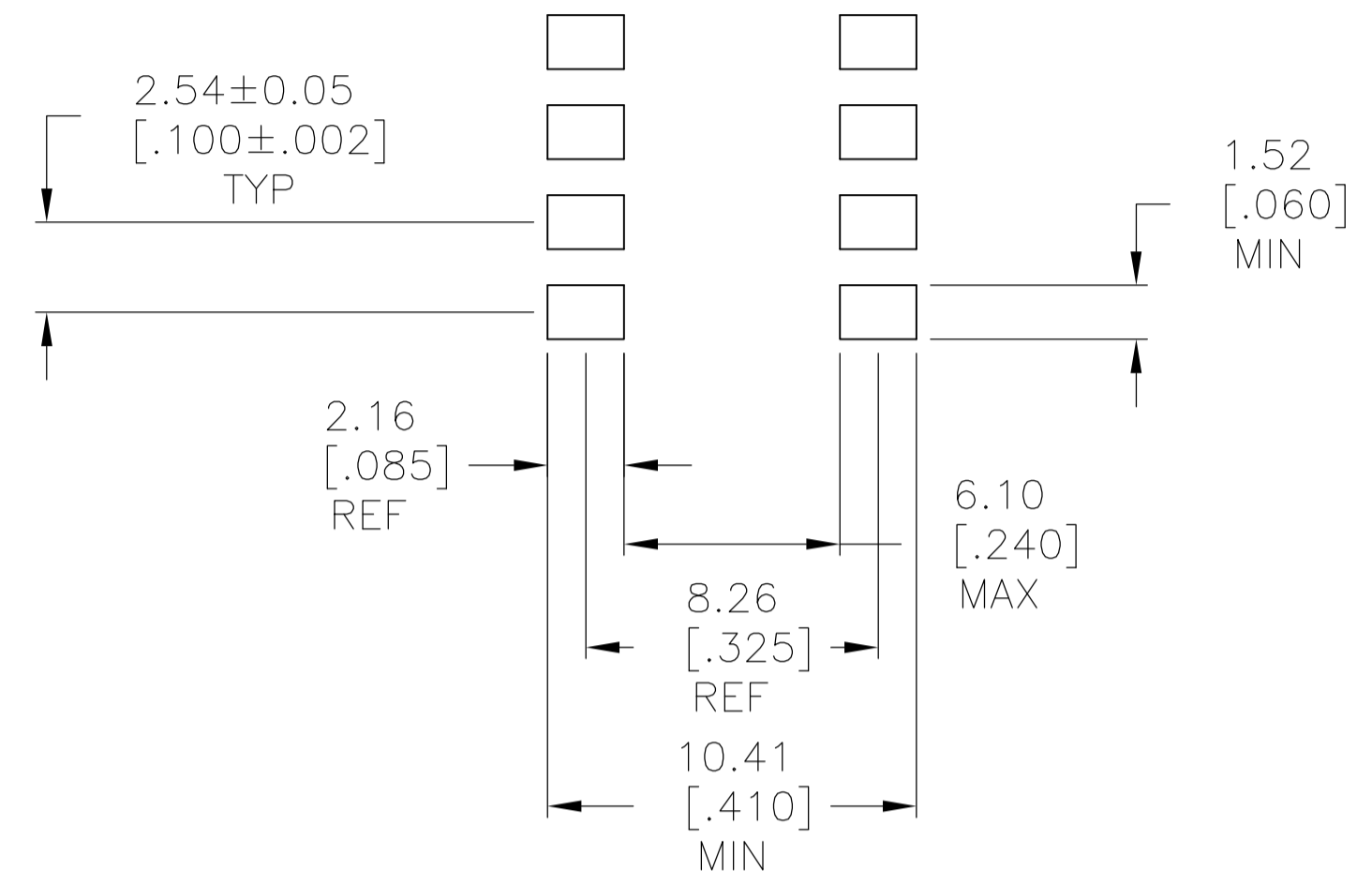
SIZE: A1 CAGE CODE: 00779 DRAWING NO: 1571999

RESTRICTED TO: -

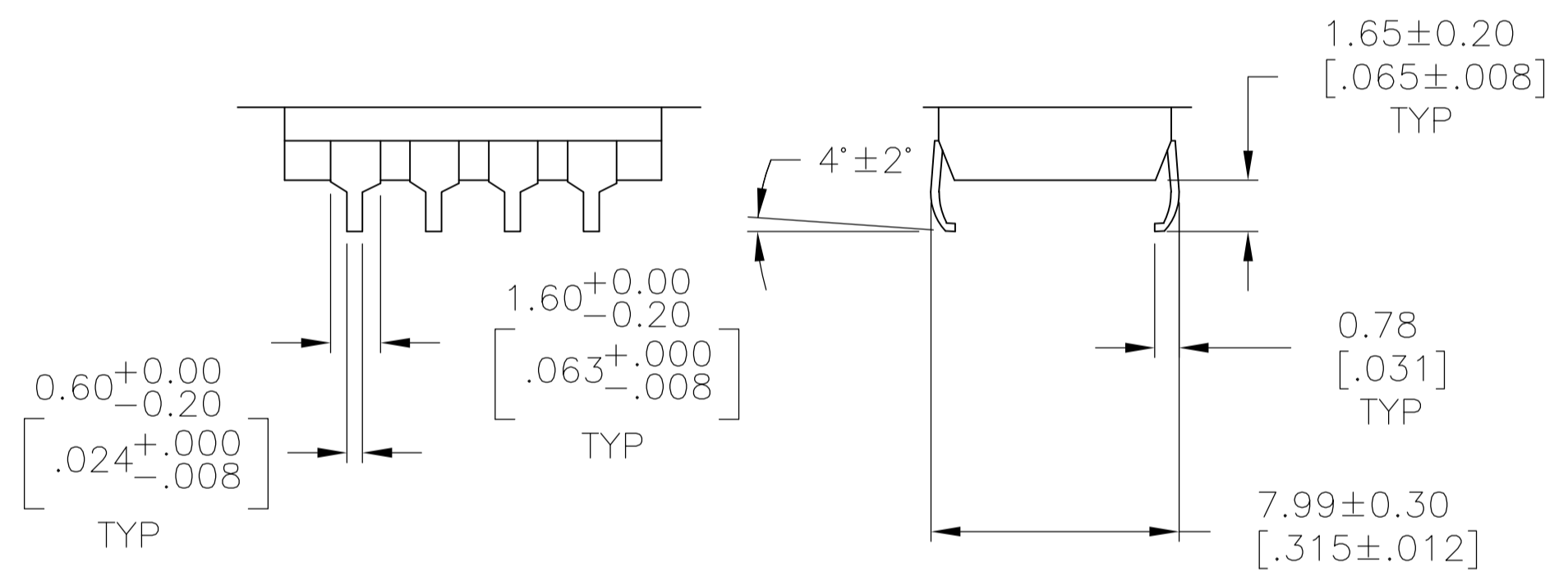
CUSTOMER DRAWING SCALE: 1:1 SHEET 1 OF 2 REV: D4



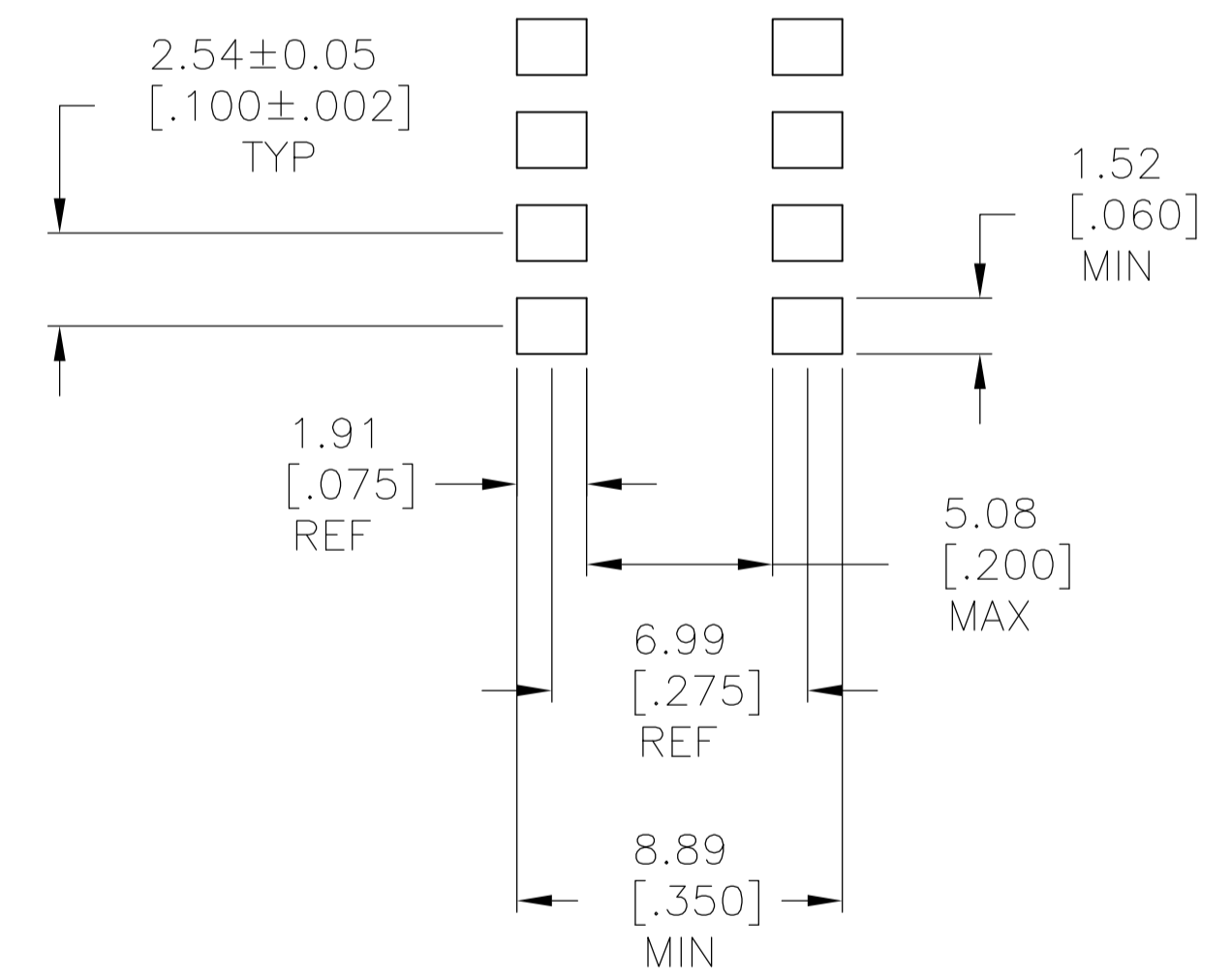
SURFACE MOUNT  
"S" TERMINATION



RECOMMENDED PAD LAYOUT  
SURFACE MOUNT  
"S" TERMINATION



SURFACE MOUNT  
"SA" TERMINATION



RECOMMENDED PAD LAYOUT  
SURFACE MOUNT  
"SA" TERMINATION

THIS DRAWING IS A CONTROLLED DOCUMENT.		DIN	M. BINNER	14FEB05	 TE Connectivity
DIMENSIONS: mm [INCHES]		CHK	M. SARVER	15FEB05	
TOLERANCES UNLESS OTHERWISE SPECIFIED:		NAME		DIP SWITCH ASSEMBLY	
0. PLC ± -		APVD		ADP/PA SERIES	
1. PLC ± -		M. SARVER		PRODUCT SPEC	
2. PLC ± -		NAME		APPLICATION SPEC	
3. PLC ± .012(0.31)		SIZE		CAGE CODE	
4. PLC ± ± 1°		DRAWING NO		RESTRICTED TO	
MATERIAL		WEIGHT		A1 00779	
FINISH		CUSTOMER DRAWING		SCALE 1:1 SHEET 2 OF 2 REV D4	